



**Kawasaki**

**ENGINE**

**PARTS MANUAL**

**FH 500 V 17hp**

## PART NAME INDEX

|                            |      |
|----------------------------|------|
| AIR-FILTER/MUFFLER.....    | B-11 |
| CARBURETOR.....            | B-10 |
| CONTROL-EQUIPMENT.....     | B-09 |
| COOLING-EQUIPMENT.....     | B-07 |
| CYLINDER/CRANKCASE.....    | B-03 |
| ELECTRIC-EQUIPMENT.....    | B-08 |
| FUEL-TANK/FUEL-VALVE.....  | C-03 |
| LABEL.....                 | D-03 |
| LUBRICATION-EQUIPMENT..... | B-06 |
| PISTON/CRANKSHAFT.....     | B-04 |
| STARTER.....               | C-04 |
| VALVE/CAMSHAFT.....        | B-05 |

GRID NO.

This grid covers:

**D-05****NUMERICAL PARTS INDEX**

| Part No.        | Grid No. | Part No.        | Grid No. | Part No.        | Grid No. | Part No.        | Grid No. | Part No. | Grid No. |
|-----------------|----------|-----------------|----------|-----------------|----------|-----------------|----------|----------|----------|
| 11003-2105..... | B-10     | 13270-7004..... | B-06     | 49120-6119..... | B-03     | 92151-2092..... | B-10     |          |          |
| 11004-7001..... | B-03     | 13270-7006..... | B-09     | 49121-2222..... | B-10     | 92151-2097..... | B-08     |          |          |
| 11008-7001..... | B-03     | 13270-7007..... | B-07     | 510A5100.....   | B-08     | 92151-7001..... | B-05     |          |          |
| 11008-7002..... | B-03     | 13271-7007..... | B-05     | 55020-7001..... | B-07     | 92151-7006..... | B-09     |          |          |
| 11010-7002..... | B-11     | 14075-7001..... | B-06     | 56033-7001..... | D-03     | 92151-7013..... | C-04     |          |          |
| 11011-7001..... | B-11     | 14090-7001..... | B-03     | 56080-7001..... | D-03     | 92170-2088..... | C-03     |          |          |
| 11013-7001..... | B-11     | 15003-2699..... | B-10     | 59031-7001..... | B-08     | 92170-7001..... | B-09     |          |          |
| 11013-7006..... | B-11     | 16014-2080..... | B-10     | 59041-7001..... | B-07     | 92170-7003..... | B-11     |          |          |
| 11022-7001..... | B-03     | 16020-2141..... | B-10     | 59051-7004..... | B-06     | 92191-7001..... | B-11     |          |          |
| 11038-7001..... | B-11     | 16021-2060..... | B-10     | 59066-7002..... | B-07     | 92191-7004..... | C-03     |          |          |
| 11050-7006..... | B-11     | 16025-2193..... | B-10     | 59071-7004..... | B-06     | 92191-7008..... | B-10     |          |          |
| 11051-7001..... | C-03     | 16030-2067..... | B-10     | 59076-7001..... | B-10     | 92200-7001..... | B-05     |          |          |
| 11060-2406..... | B-10     | 16031-2066..... | B-10     | 59231-7001..... | B-06     | 92200-7002..... | B-08     |          |          |
| 11060-7001..... | B-03     | 16035-2060..... | B-10     | 670D2016.....   | B-06     | 92210-7004..... | B-11     |          |          |
| 11060-7003..... | B-10     | 16035-2061..... | B-10     | 92004-2147..... | B-08     |                 |          |          |          |
| 11060-7004..... | B-10     | 16041-2252..... | B-10     | 92004-7006..... | B-07     |                 |          |          |          |
| 11060-7005..... | B-10     | 16041-2253..... | B-10     | 92009-2015..... | B-10     |                 |          |          |          |
| 11060-7006..... | B-11     | 16073-7001..... | B-10     | 92009-2024..... | B-10     |                 |          |          |          |
| 11060-7008..... | B-03     | 16126-2218..... | B-10     | 92009-2081..... | B-10     |                 |          |          |          |
| 11060-7015..... | B-03     | 16154-2053..... | B-06     | 92009-2308..... | B-08     |                 |          |          |          |
| 11065-2061..... | B-10     | 16154-2054..... | B-06     | 92009-2341..... | B-05     |                 |          |          |          |
| 12004-7001..... | B-05     | 16169-7001..... | B-09     | 92009-7002..... | B-09     |                 |          |          |          |
| 12005-7001..... | B-05     | 16171-7001..... | B-08     | 92015-1143..... | C-03     |                 |          |          |          |
| 12009-7001..... | B-05     | 172G0685.....   | B-10     | 92015-1170..... | B-07     |                 |          |          |          |
| 12011-2056..... | B-05     | 172G0818.....   | B-03     | 92015-1193..... | B-11     |                 |          |          |          |
| 12016-7001..... | B-05     | 21039-7001..... | C-04     | 92015-2253..... | B-05     |                 |          |          |          |
| 12032-7001..... | B-05     | 21066-7001..... | B-08     | 92022-2231..... | B-10     |                 |          |          |          |
| 13001-7001..... | B-04     | 21080-7001..... | C-04     | 92022-2239..... | B-10     |                 |          |          |          |
| 13002-7001..... | B-04     | 21163-7001..... | C-04     | 92026-7001..... | B-07     |                 |          |          |          |
| 13008-6055..... | B-04     | 21171-7001..... | B-08     | 92026-7003..... | B-07     |                 |          |          |          |
| 13025-7001..... | B-04     | 21193-7001..... | B-08     | 92027-2025..... | B-10     |                 |          |          |          |
| 13029-7001..... | B-04     | 214B0408.....   | B-09     | 92033-2067..... | B-10     |                 |          |          |          |
| 13031-7001..... | B-04     | 224B0520.....   | B-08     | 92033-7001..... | B-05     |                 |          |          |          |
| 13070-7001..... | B-05     | 232B0514.....   | B-11     | 92033-7002..... | B-04     |                 |          |          |          |
| 13070-7004..... | B-05     | 26011-7001..... | B-08     | 92033-7003..... | B-03     |                 |          |          |          |
| 130B0612.....   | B-03     | 26030-7001..... | B-08     | 92043-2226..... | B-10     |                 |          |          |          |
| 130B0612.....   | B-06     | 27010-7002..... | B-08     | 92043-7001..... | B-03     |                 |          |          |          |
| 130B0612.....   | B-07     | 27012-7001..... | B-11     | 92043-7003..... | B-06     |                 |          |          |          |
| 130B0612.....   | B-09     | 311B0600.....   | B-07     | 92049-7001..... | B-03     |                 |          |          |          |
| 130B0612.....   | B-11     | 311B0600.....   | B-09     | 92049-7002..... | B-03     |                 |          |          |          |
| 130B0616.....   | B-07     | 317R0800.....   | B-11     | 92049-7004..... | B-03     |                 |          |          |          |
| 130B0620.....   | B-07     | 39076-2053..... | B-10     | 92049-7005..... | B-03     |                 |          |          |          |
| 130B0620.....   | B-08     | 39129-7003..... | B-09     | 92063-2358..... | B-10     |                 |          |          |          |
| 130B0620.....   | C-03     | 39184-7001..... | C-04     | 92064-2125..... | B-10     |                 |          |          |          |
| 130B0625.....   | B-07     | 411B0600.....   | B-09     | 92066-7003..... | B-06     |                 |          |          |          |
| 130B0635.....   | B-10     | 42036-7001..... | B-05     | 92066-7005..... | B-06     |                 |          |          |          |
| 130B0640.....   | B-03     | 43058-3716..... | B-10     | 92066-7010..... | C-03     |                 |          |          |          |
| 130B0816.....   | B-07     | 461F0800.....   | B-11     | 92070-7001..... | B-08     |                 |          |          |          |
| 130B0816.....   | C-04     | 482L4000.....   | B-10     | 92072-7003..... | B-08     |                 |          |          |          |
| 130G0630.....   | B-04     | 49015-6215..... | B-03     | 92081-2009..... | B-10     |                 |          |          |          |
| 130T0850.....   | B-03     | 49065-2078..... | B-06     | 92081-2256..... | B-10     |                 |          |          |          |
| 130T0875.....   | B-03     | 49065-7001..... | B-06     | 92093-2002..... | B-10     |                 |          |          |          |
| 13101-7001..... | C-04     | 49078-7001..... | B-05     | 92140-7002..... | B-05     |                 |          |          |          |

# PARTS CATALOG INTRODUCTION

This parts catalog lists parts and sub-assemblies provided as service parts. When it becomes necessary to replace parts, always use KAWASAKI GENUINE PARTS which have passed strict inspection which guarantees quality and performance.

## 1. HOW TO ORDER PARTS

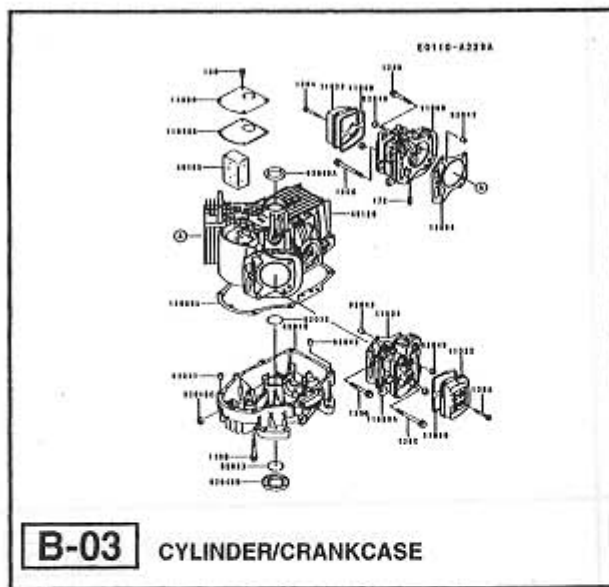
- When ordering the parts, be sure to use the parts catalog corresponding to the product code. Check the product revision codes on the product and the catalog.  
Product Code (example) : FA130D-AA00  
 Product Revision Code
- Specify the part code (all digits) exactly as listed in this catalog on your parts order.
- The parts not shown in the illustrations of this catalog are not sold separately; only the complete units or next higher assemblies illustrated are supplied as the service parts.

## 2. EXPLANATION OF PARTS CATALOG FORMAT

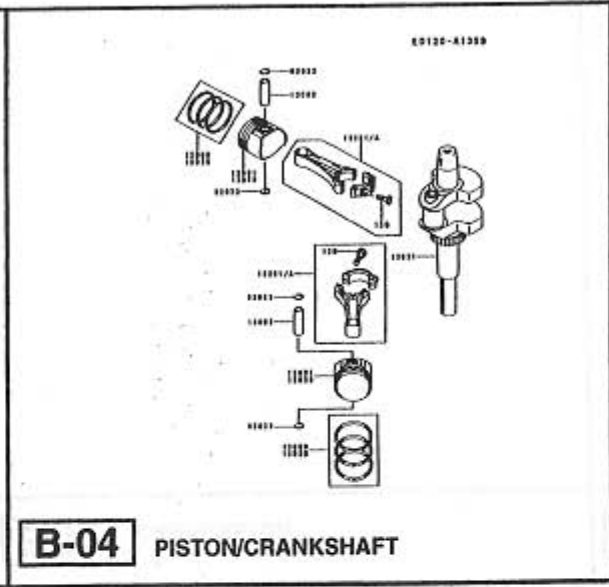
This catalog covers: FB460V - □ S09

This grid covers: Cylinder/Crankcase

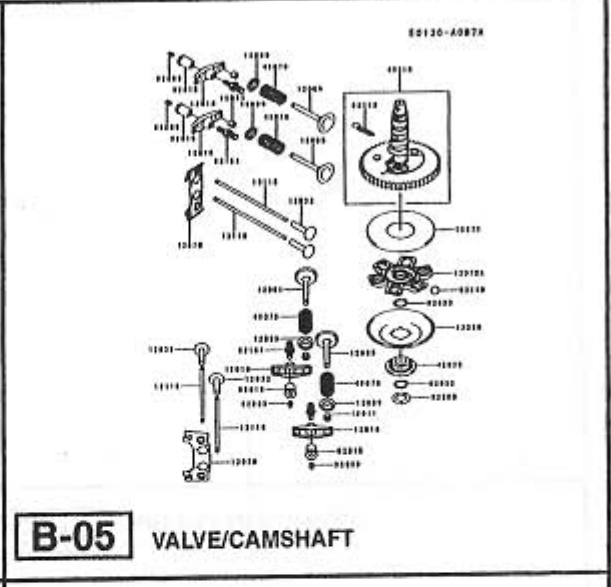
| GRID NO. | Part No. | Description    | Quantity |
|----------|----------|----------------|----------|
| B-3      | 11001    | HEAD-LEVER     | 1        |
|          | 11004    | SLIPPER HEAD   | 1        |
|          | 11009    | SLIPPER HEAD   | 1        |
|          | 11009A   | SLIPPER HEAD   | 1        |
|          | 11009B   | SLIPPER HEAD   | 1        |
|          | 11009C   | SLIPPER HEAD   | 1        |
|          | 11009D   | SLIPPER HEAD   | 1        |
|          | 11009E   | SLIPPER HEAD   | 1        |
|          | 11009F   | SLIPPER HEAD   | 1        |
|          | 11009G   | SLIPPER HEAD   | 1        |
|          | 11009H   | SLIPPER HEAD   | 1        |
|          | 11009I   | SLIPPER HEAD   | 1        |
|          | 11009J   | SLIPPER HEAD   | 1        |
|          | 11009K   | SLIPPER HEAD   | 1        |
|          | 11009L   | SLIPPER HEAD   | 1        |
|          | 11009M   | SLIPPER HEAD   | 1        |
|          | 11009N   | SLIPPER HEAD   | 1        |
|          | 11009O   | SLIPPER HEAD   | 1        |
|          | 11009P   | SLIPPER HEAD   | 1        |
|          | 11009Q   | SLIPPER HEAD   | 1        |
|          | 11009R   | SLIPPER HEAD   | 1        |
|          | 11009S   | SLIPPER HEAD   | 1        |
|          | 11009T   | SLIPPER HEAD   | 1        |
|          | 11009U   | SLIPPER HEAD   | 1        |
|          | 11009V   | SLIPPER HEAD   | 1        |
|          | 11009W   | SLIPPER HEAD   | 1        |
|          | 11009X   | SLIPPER HEAD   | 1        |
|          | 11009Y   | SLIPPER HEAD   | 1        |
|          | 11009Z   | SLIPPER HEAD   | 1        |
|          | 11010    | COVER-OPERATOR | 1        |
|          | 11011    | COVER          | 1        |
|          | 11012    | COVER          | 1        |
|          | 11013    | COVER          | 1        |
|          | 11014    | COVER          | 1        |
|          | 11015    | COVER          | 1        |
|          | 11016    | COVER          | 1        |
|          | 11017    | COVER          | 1        |
|          | 11018    | COVER          | 1        |
|          | 11019    | COVER          | 1        |
|          | 11020    | COVER          | 1        |
|          | 11021    | COVER          | 1        |
|          | 11022    | COVER          | 1        |
|          | 11023    | COVER          | 1        |
|          | 11024    | COVER          | 1        |
|          | 11025    | COVER          | 1        |
|          | 11026    | COVER          | 1        |
|          | 11027    | COVER          | 1        |
|          | 11028    | COVER          | 1        |
|          | 11029    | COVER          | 1        |
|          | 11030    | COVER          | 1        |
|          | 11031    | COVER          | 1        |
|          | 11032    | COVER          | 1        |
|          | 11033    | COVER          | 1        |
|          | 11034    | COVER          | 1        |
|          | 11035    | COVER          | 1        |
|          | 11036    | COVER          | 1        |
|          | 11037    | COVER          | 1        |
|          | 11038    | COVER          | 1        |
|          | 11039    | COVER          | 1        |
|          | 11040    | COVER          | 1        |
|          | 11041    | COVER          | 1        |
|          | 11042    | COVER          | 1        |
|          | 11043    | COVER          | 1        |
|          | 11044    | COVER          | 1        |
|          | 11045    | COVER          | 1        |
|          | 11046    | COVER          | 1        |
|          | 11047    | COVER          | 1        |
|          | 11048    | COVER          | 1        |
|          | 11049    | COVER          | 1        |
|          | 11050    | COVER          | 1        |
|          | 11051    | COVER          | 1        |
|          | 11052    | COVER          | 1        |
|          | 11053    | COVER          | 1        |
|          | 11054    | COVER          | 1        |
|          | 11055    | COVER          | 1        |
|          | 11056    | COVER          | 1        |
|          | 11057    | COVER          | 1        |
|          | 11058    | COVER          | 1        |
|          | 11059    | COVER          | 1        |
|          | 11060    | COVER          | 1        |
|          | 11061    | COVER          | 1        |
|          | 11062    | COVER          | 1        |
|          | 11063    | COVER          | 1        |
|          | 11064    | COVER          | 1        |
|          | 11065    | COVER          | 1        |
|          | 11066    | COVER          | 1        |
|          | 11067    | COVER          | 1        |
|          | 11068    | COVER          | 1        |
|          | 11069    | COVER          | 1        |
|          | 11070    | COVER          | 1        |
|          | 11071    | COVER          | 1        |
|          | 11072    | COVER          | 1        |
|          | 11073    | COVER          | 1        |
|          | 11074    | COVER          | 1        |
|          | 11075    | COVER          | 1        |
|          | 11076    | COVER          | 1        |
|          | 11077    | COVER          | 1        |
|          | 11078    | COVER          | 1        |
|          | 11079    | COVER          | 1        |
|          | 11080    | COVER          | 1        |
|          | 11081    | COVER          | 1        |
|          | 11082    | COVER          | 1        |
|          | 11083    | COVER          | 1        |
|          | 11084    | COVER          | 1        |
|          | 11085    | COVER          | 1        |
|          | 11086    | COVER          | 1        |
|          | 11087    | COVER          | 1        |
|          | 11088    | COVER          | 1        |
|          | 11089    | COVER          | 1        |
|          | 11090    | COVER          | 1        |
|          | 11091    | COVER          | 1        |
|          | 11092    | COVER          | 1        |
|          | 11093    | COVER          | 1        |
|          | 11094    | COVER          | 1        |
|          | 11095    | COVER          | 1        |
|          | 11096    | COVER          | 1        |
|          | 11097    | COVER          | 1        |
|          | 11098    | COVER          | 1        |
|          | 11099    | COVER          | 1        |
|          | 11100    | COVER          | 1        |
|          | 11101    | COVER          | 1        |
|          | 11102    | COVER          | 1        |
|          | 11103    | COVER          | 1        |
|          | 11104    | COVER          | 1        |
|          | 11105    | COVER          | 1        |
|          | 11106    | COVER          | 1        |
|          | 11107    | COVER          | 1        |
|          | 11108    | COVER          | 1        |
|          | 11109    | COVER          | 1        |
|          | 11110    | COVER          | 1        |
|          | 11111    | COVER          | 1        |
|          | 11112    | COVER          | 1        |
|          | 11113    | COVER          | 1        |
|          | 11114    | COVER          | 1        |
|          | 11115    | COVER          | 1        |
|          | 11116    | COVER          | 1        |
|          | 11117    | COVER          | 1        |
|          | 11118    | COVER          | 1        |
|          | 11119    | COVER          | 1        |
|          | 11120    | COVER          | 1        |
|          | 11121    | COVER          | 1        |
|          | 11122    | COVER          | 1        |
|          | 11123    | COVER          | 1        |
|          | 11124    | COVER          | 1        |
|          | 11125    | COVER          | 1        |
|          | 11126    | COVER          | 1        |
|          | 11127    | COVER          | 1        |
|          | 11128    | COVER          | 1        |
|          | 11129    | COVER          | 1        |
|          | 11130    | COVER          | 1        |
|          | 11131    | COVER          | 1        |
|          | 11132    | COVER          | 1        |
|          | 11133    | COVER          | 1        |
|          | 11134    | COVER          | 1        |
|          | 11135    | COVER          | 1        |
|          | 11136    | COVER          | 1        |
|          | 11137    | COVER          | 1        |
|          | 11138    | COVER          | 1        |
|          | 11139    | COVER          | 1        |
|          | 11140    | COVER          | 1        |
|          | 11141    | COVER          | 1        |
|          | 11142    | COVER          | 1        |
|          | 11143    | COVER          | 1        |
|          | 11144    | COVER          | 1        |
|          | 11145    | COVER          | 1        |
|          | 11146    | COVER          | 1        |
|          | 11147    | COVER          | 1        |
|          | 11148    | COVER          | 1        |
|          | 11149    | COVER          | 1        |
|          | 11150    | COVER          | 1        |
|          | 11151    | COVER          | 1        |
|          | 11152    | COVER          | 1        |
|          | 11153    | COVER          | 1        |
|          | 11154    | COVER          | 1        |
|          | 11155    | COVER          | 1        |
|          | 11156    | COVER          | 1        |
|          | 11157    | COVER          | 1        |
|          | 11158    | COVER          | 1        |
|          | 11159    | COVER          | 1        |
|          | 11160    | COVER          | 1        |
|          | 11161    | COVER          | 1        |
|          | 11162    | COVER          | 1        |
|          | 11163    | COVER          | 1        |
|          | 11164    | COVER          | 1        |
|          | 11165    | COVER          | 1        |
|          | 11166    | COVER          | 1        |
|          | 11167    | COVER          | 1        |
|          | 11168    | COVER          | 1        |
|          | 11169    | COVER          | 1        |
|          | 11170    | COVER          | 1        |
|          | 11171    | COVER          | 1        |
|          | 11172    | COVER          | 1        |
|          | 11173    | COVER          | 1        |
|          | 11174    | COVER          | 1        |
|          | 11175    | COVER          | 1        |
|          | 11176    | COVER          | 1        |
|          | 11177    | COVER          | 1        |
|          | 11178    | COVER          | 1        |
|          | 11179    | COVER          | 1        |
|          | 11180    | COVER          | 1        |
|          | 11181    | COVER          | 1        |
|          | 11182    | COVER          | 1        |
|          | 11183    | COVER          | 1        |
|          | 11184    | COVER          | 1        |
|          | 11185    | COVER          | 1        |
|          | 11186    | COVER          | 1        |
|          | 11187    | COVER          | 1        |
|          | 11188    | COVER          | 1        |
|          | 11189    | COVER          | 1        |
|          | 11190    | COVER          | 1        |
|          | 11191    | COVER          | 1        |
|          | 11192    | COVER          | 1        |
|          | 11193    | COVER          | 1        |
|          | 11194    | COVER          | 1        |
|          | 11195    | COVER          | 1        |
|          | 11196    | COVER          | 1        |
|          | 11197    | COVER          | 1        |
|          | 11198    | COVER          | 1        |
|          | 11199    | COVER          | 1        |
|          | 11200    | COVER          | 1        |
|          | 11201    | COVER          | 1        |
|          | 11202    | COVER          | 1        |
|          | 11203    | COVER          | 1        |
|          | 11204    | COVER          | 1        |
|          | 11205    | COVER          | 1        |
|          | 11206    | COVER          | 1        |
|          | 11207    | COVER          | 1        |
|          | 11208    | COVER          | 1        |
|          | 11209    | COVER          | 1        |
|          | 11210    | COVER          | 1        |
|          | 11211    | COVER          | 1        |
|          | 11212    | COVER          | 1        |
|          | 11213    | COVER          | 1        |
|          | 11214    | COVER          | 1        |
|          | 11215    | COVER          | 1        |
|          | 11216    | COVER          | 1        |
|          | 11217    | COVER          | 1        |
|          | 11218    | COVER          | 1        |
|          | 11219    | COVER          | 1        |
|          | 11220    | COVER          | 1        |
|          | 11221    | COVER          | 1        |
|          | 11222    | COVER          | 1        |
|          | 11223    | COVER          | 1        |
|          | 11224    | COVER          | 1        |
|          | 11225    | COVER          | 1        |
|          | 11226    | COVER          | 1        |
|          | 11227    | COVER          | 1        |
|          | 11228    | COVER          | 1        |
|          | 11229    | COVER          | 1        |
|          | 11230    | COVER          | 1        |
|          | 11231    | COVER          | 1        |
|          | 11232    | COVER          | 1        |
|          | 11233    | COVER          | 1        |
|          | 11234    | COVER          | 1        |
|          | 11235    | COVER          | 1        |
|          | 11236    | COVER          | 1        |
|          | 11237    | COVER          | 1        |
|          | 11238    | COVER          | 1        |
|          | 11239    | COVER          | 1        |
|          | 11240    | COVER          | 1        |
|          | 11241    | COVER          | 1        |
|          | 11242    | COVER          | 1        |
|          | 11243    | COVER          | 1        |
|          | 11244    | COVER          | 1        |
|          | 11245    | COVER          | 1        |
|          | 11246    | COVER          | 1        |
|          | 11247    | COVER          | 1        |
|          | 11248    | COVER          | 1        |
|          | 11249    | COVER          | 1        |
|          | 11250    | COVER          | 1        |
|          | 11251    | COVER          | 1        |
|          | 11252    | COVER          | 1        |
|          | 11253    | COVER          | 1        |
|          | 11254    | COVER          | 1        |
|          | 11255    | COVER          | 1        |
|          | 11256    | COVER          | 1        |
|          | 11257    | COVER          | 1        |
|          | 11258    | COVER          | 1        |
|          | 11259    | COVER          | 1        |
|          | 11260    | COVER          | 1        |
|          | 11261    | COVER          | 1        |
|          | 11262    | COVER          | 1        |
|          | 11263    | COVER          | 1        |
|          | 11264    | COVER          | 1        |
|          | 11265    | COVER          | 1        |
|          | 11266    | COVER          | 1        |
|          | 11267    | COVER          | 1        |
|          | 11268    | COVER          | 1        |
|          | 11269    | COVER          | 1        |
|          | 11270    | COVER          | 1        |
|          | 11271    | COVER          | 1        |
|          | 11272    | COVER          | 1        |
|          | 11273    | COVER          | 1        |
|          | 11274    | COVER          | 1        |
|          | 11275    | COVER          | 1        |
|          | 11276    | COVER          | 1        |
|          | 11277    | COVER          | 1        |
|          | 11278    | COVER          | 1        |
|          | 11279    | COVER          | 1        |
|          | 11280    | COVER          | 1        |
|          | 11281    | COVER          | 1        |
|          | 11282    | COVER          | 1        |
|          | 11283    | COVER          | 1        |
|          | 11284    | COVER          | 1        |
|          | 11285    | COVER          | 1        |
|          | 11286    | COVER          | 1        |
|          | 11287    | COVER          | 1        |
|          | 11288    | COVER          | 1        |
|          | 11289    | COVER          | 1        |
|          | 11290    | COVER          | 1        |
|          | 11291    | COVER          | 1        |
|          | 11292    | COVER          | 1        |
|          | 11293    | COVER          | 1        |
|          | 11294    | COVER          | 1        |
|          | 11295    | COVER          | 1        |
|          | 11296    | COVER          | 1        |
|          | 11297    | COVER          | 1        |
|          |          |                |          |



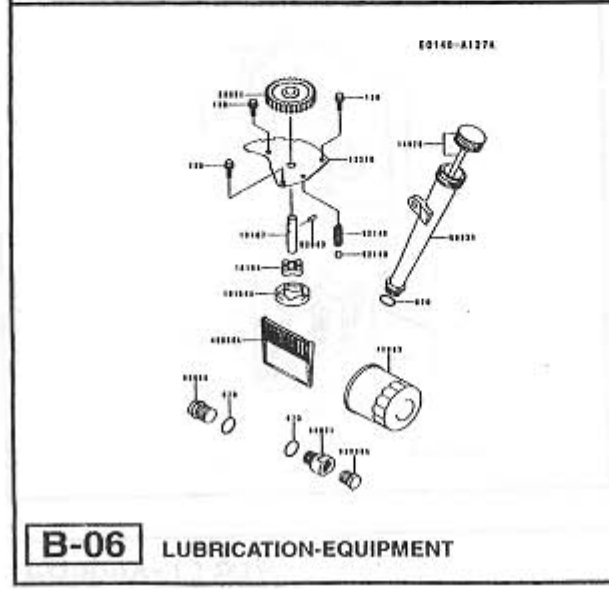
**B-03** CYLINDER/CRANKCASE



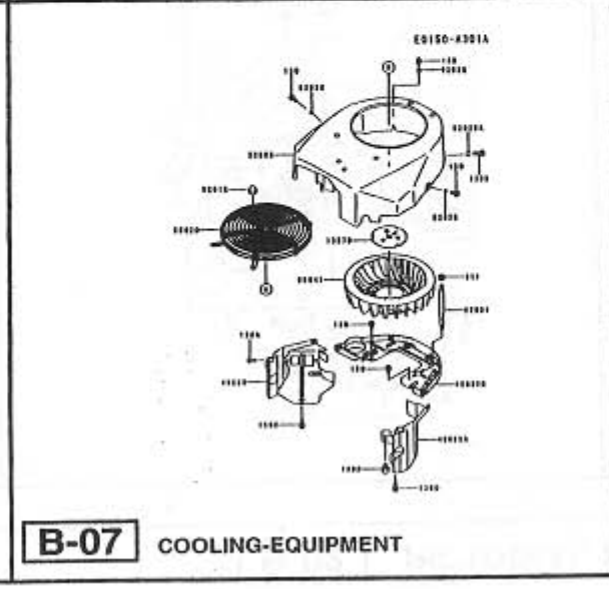
**B-04** PISTON/CRANKSHAFT



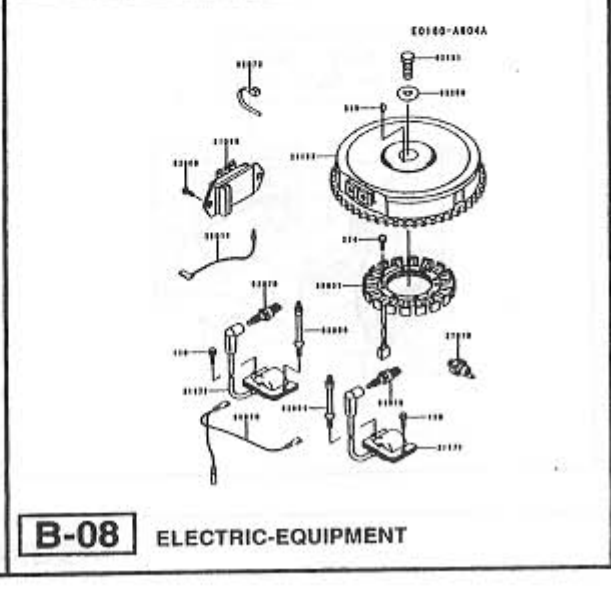
**B-05** VALVE/CAMSHAFT



**B-06** LUBRICATION-EQUIPMENT



**B-07** COOLING-EQUIPMENT

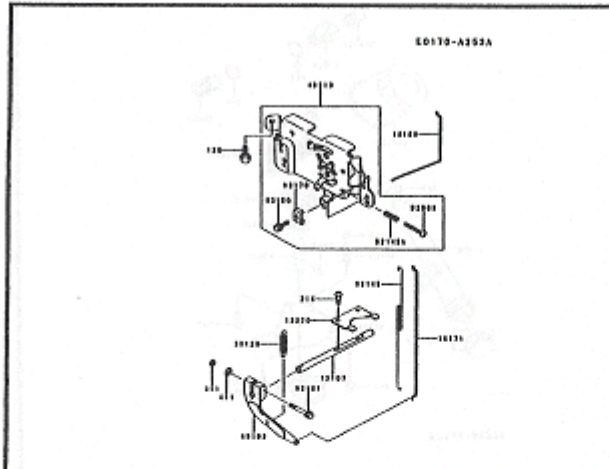


**B-08** ELECTRIC-EQUIPMENT

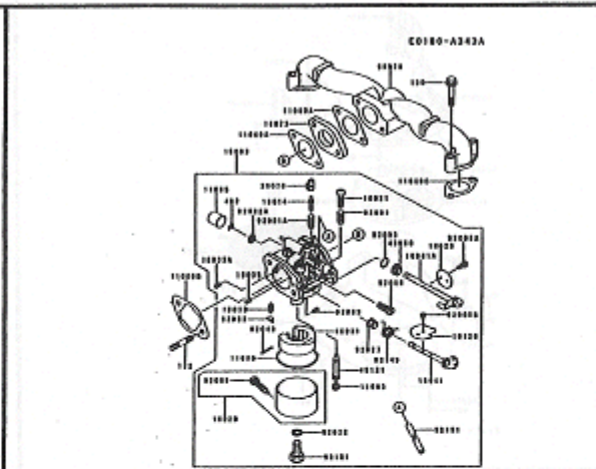
GRID NO. This grid covers:

**B-02**

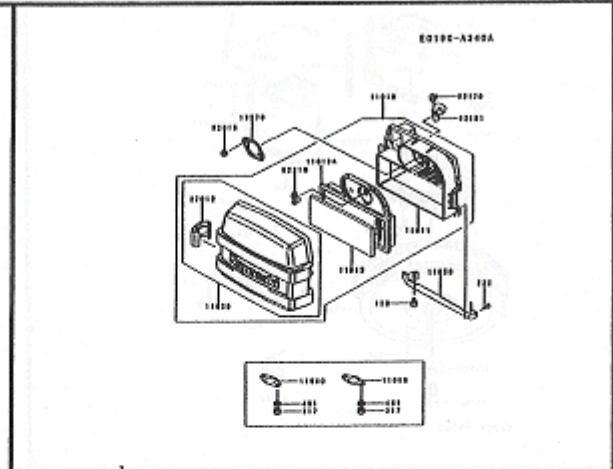
**PICTORIAL INDEX**



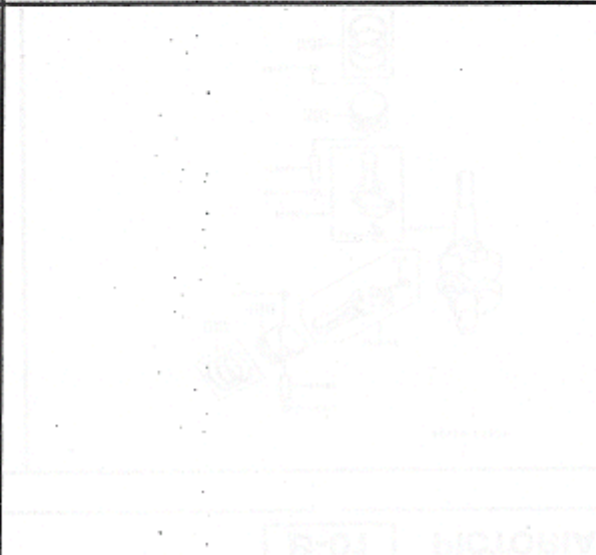
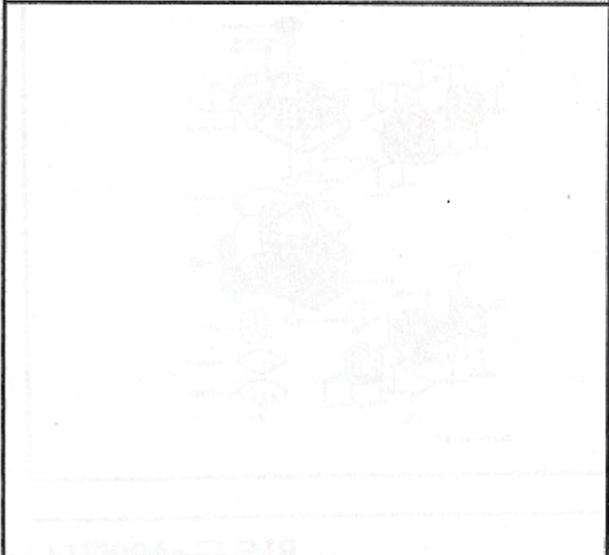
**B-09** CONTROL-EQUIPMENT



**B-10** CARBURETOR



**B-11** AIR-FILTER/MUFFLER



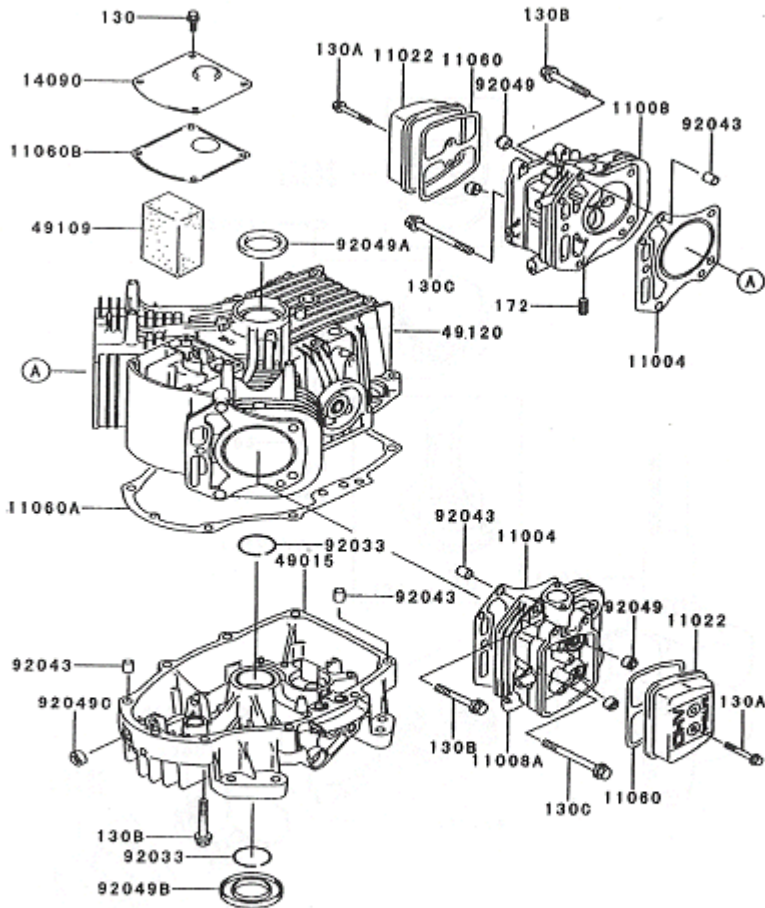
GRID N

**B-03**

this grid covers:

**CYLINDER/CRANKCASE**

E0110-A229A



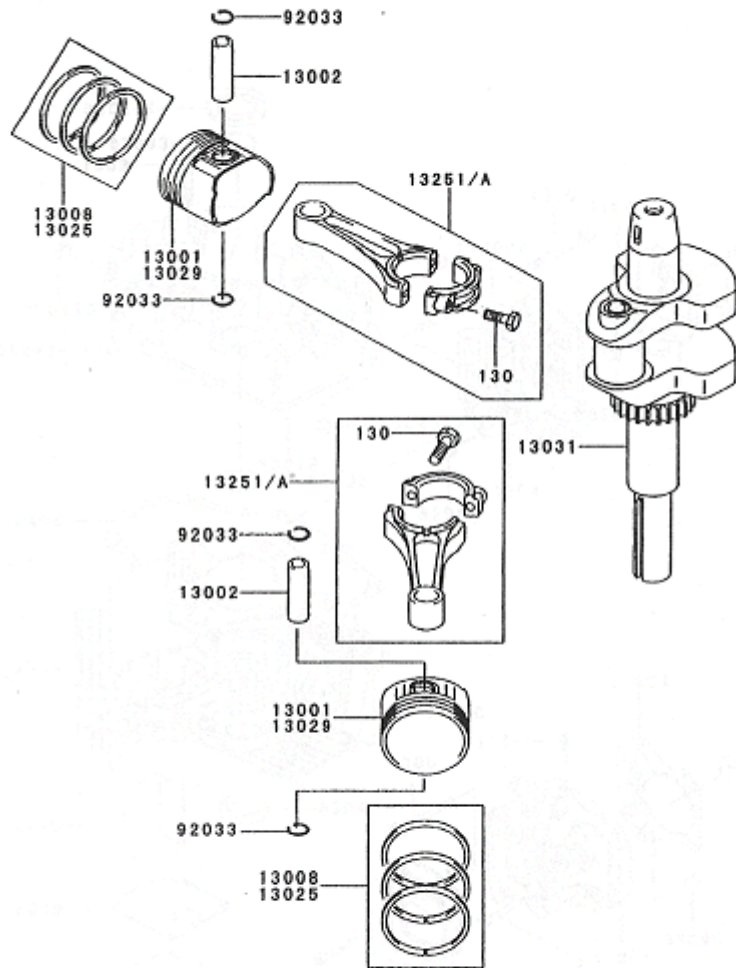
| Ref. No. | Part No.   | Description            | Quantity |
|----------|------------|------------------------|----------|
| 11004    | 11004-7001 | GASKET-HEAD            | 2        |
| 11008    | 11008-7001 | HEAD-COMP-CYLINDER,#1  | 1        |
| 11008A   | 11008-7002 | HEAD-COMP-CYLINDER,#2  | 1        |
| 11022    | 11022-7001 | CASE-ROCKER            | 2        |
| 11060    | 11060-7001 | GASKET,ROCKER CASE     | 2        |
| 11060A   | 11060-7008 | GASKET,CRANKCASE COVER | 1        |
| 11060B   | 11060-7015 | GASKET,BREATHER        | 1        |
| 14090    | 14090-7001 | COVER,BREATHER         | 1        |
| 49015    | 49015-6215 | COVER-CRANKCASE        | 1        |
| 49109    | 49109-7002 | ELEMENT-BREATHER       | 1        |
| 49120    | 49120-6119 | CRANKCASE-COMP         | 1        |
| 92033    | 92033-7003 | RING-SNAP              | 2        |
| 92043    | 92043-7001 | PIN                    | 6        |
| 92049    | 92049-7001 | SEAL-OIL               | 4        |
| 92049A   | 92049-7002 | SEAL-OIL               | 1        |
| 92049B   | 92049-7004 | SEAL-OIL               | 1        |
| 92049C   | 92049-7005 | SEAL-OIL               | 1        |
| 130      | 130B0612   | BOLT-FLANGED           | 4        |
| 130A     | 130B0640   | BOLT-FLANGED           | 4        |
| 130B     | 130T0850   | BOLT-FLANGED           | 17       |
| 130C     | 130T0875   | BOLT-FLANGED           | 2        |
| 172      | 172G0818   | BOLT-STUD              | 4        |

GRID NO. This grid covers:

**B-04**

**PISTON/CRANKSHAFT**

E0120-A135B



| Ref. No. | Part No.   | Description                  | Quantity |
|----------|------------|------------------------------|----------|
| 13001    | 13001-7001 | PISTON-ENGINE                | 2        |
| 13002    | 13002-7001 | PIN-PISTON                   | 2        |
| 13008    | 13008-6055 | RING-SET-PISTON              | 2        |
| 13025    | 13025-7001 | RING-SET-PISTON L,0.50       | AR       |
| 13029    | 13029-7001 | PISTON-ENGINE L,0.50         | AR       |
| 13031    | 13031-7001 | CRANKSHAFT-COMP              | 1        |
| 13251    | 13251-7001 | ROD-ASSY-CONNECTING          | 2        |
| 13251A   | 13251-7003 | ROD-ASSY-CONNECTING,U/S=0.50 | AR       |
| 92033    | 92033-7002 | RING-SNAP                    | 4        |
| 130      | 130G0630   | BOLT-FLANGED                 | 4        |

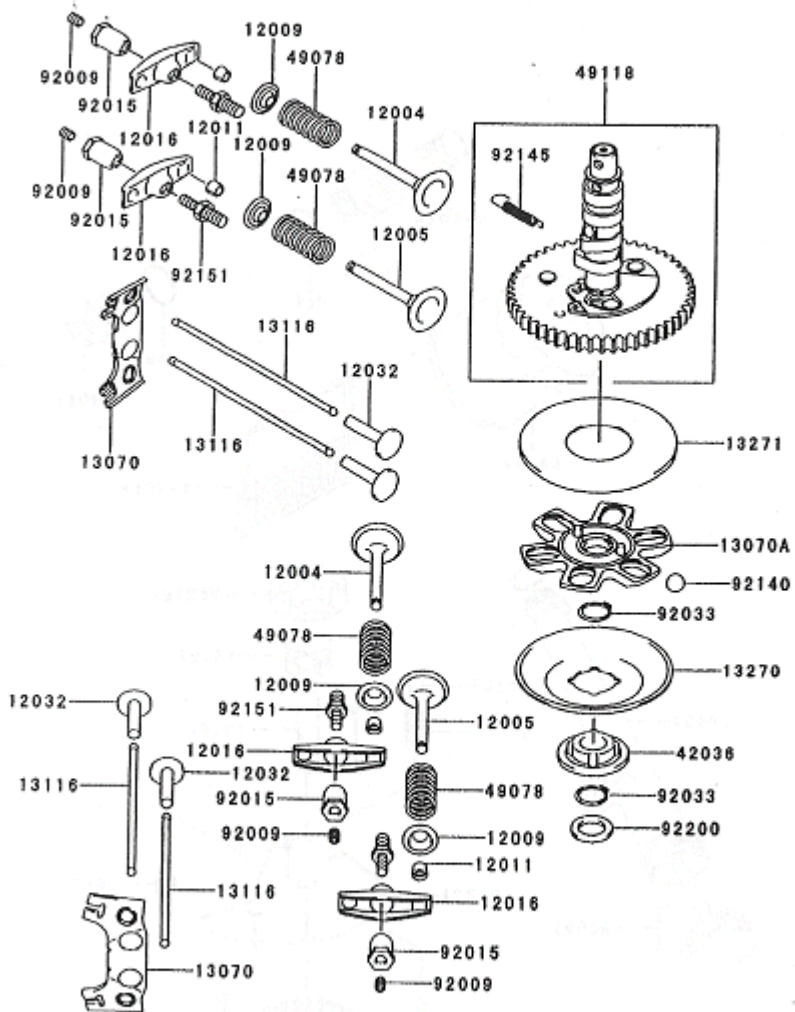
TO ORDER; Clyde Sherman, Buffers OnLine Web Store, [buffersonline@gmail.com](mailto:buffersonline@gmail.com) 706 232-9469

GRID A

This grid covers:

**B-05 VALVE/CAMSHAFT**

E0130-A087A



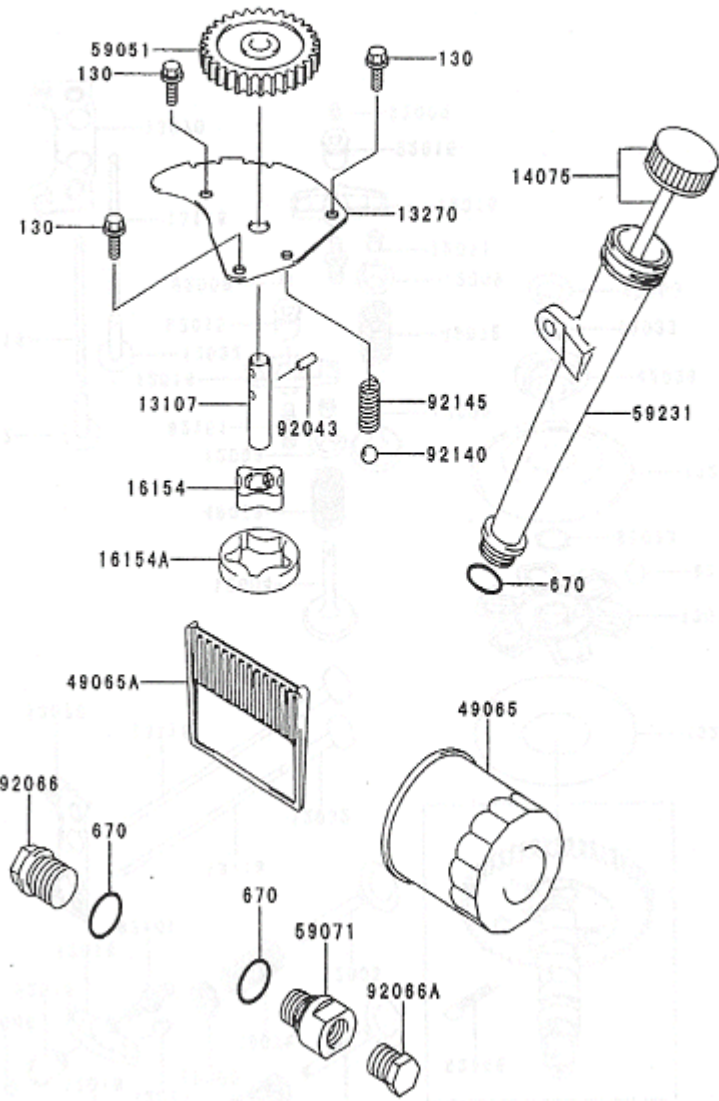
| Ref. No. | Part No.   | Description           | Quantity |
|----------|------------|-----------------------|----------|
| 12004    | 12004-7001 | VALVE-INTAKE          | 2        |
| 12005    | 12005-7001 | VALVE-EXHAUST         | 2        |
| 12009    | 12009-7001 | RETAINER-VALVE SPRING | 4        |
| 12011    | 12011-2056 | COLLET                | 8        |
| 12016    | 12016-7001 | ARM-ROCKER            | 4        |
| 12032    | 12032-7001 | TAPPET                | 4        |
| 13070    | 13070-7001 | GUIDE                 | 2        |
| 13070A   | 13070-7004 | GUIDE                 | 1        |
| 13116    | 13116-2057 | ROD-PUSH              | 4        |
| 13270    | 13270-7002 | PLATE                 | 1        |
| 13271    | 13271-7007 | PLATE                 | 1        |
| 42036    | 42036-7001 | SLEEVE                | 1        |
| 49078    | 49078-7001 | SPRING-ENGINE VALVE   | 4        |
| 49118    | 49118-7002 | CAMSHAFT-COMP         | 1        |
| 92009    | 92009-2341 | SCREW                 | 4        |
| 92015    | 92015-2253 | NUT                   | 4        |
| 92033    | 92033-7001 | RING-SNAP             | 2        |
| 92140    | 92140-7002 | BALL                  | 6        |
| 92145    | 92145-7001 | SPRING                | 1        |
| 92151    | 92151-7001 | BOLT                  | 4        |
| 92200    | 92200-7001 | WASHER                | 1        |

TO ORDER; Clyde Sherman, Buffers OnLine Web Store, [buffersonline@gmail.com](mailto:buffersonline@gmail.com) 706 232-9469

GRID NO. This grid covers:

**B-06** LUBRICATION-EQUIPMENT

E0140-A127A



| Ref. No. | Part No.   | Description    | Quantity |
|----------|------------|----------------|----------|
| 13107    | 13107-2099 | SHAFT,OIL PUMP | 1        |
| 13270    | 13270-7004 | PLATE          | 1        |
| 14075    | 14075-7001 | CAP-ASSY       | 1        |
| 16154    | 16154-2053 | ROTOR-PUMP,IN  | 1        |
| 16154A   | 16154-2054 | ROTOR-PUMP,OUT | 1        |
| 49065    | 49065-2078 | FILTER-OIL     | 1        |
| 49065A   | 49065-7001 | FILTER-OIL     | 1        |
| 59051    | 59051-7004 | GEAR-SPUR      | 1        |
| 59071    | 59071-7004 | JOINT          | 1        |
| 59231    | 59231-7001 | FILLER         | 1        |
| 92043    | 92043-7003 | PIN            | 1        |
| 92066    | 92066-7003 | PLUG           | 1        |
| 92066A   | 92066-7006 | PLUG           | 1        |
| 92140    | 92140-7003 | BALL           | 1        |
| 92145    | 92145-7002 | SPRING         | 1        |
| 130      | 130B0612   | BOLT-FLANGED   | 3        |
| 670      | 670D2016   | O RING         | 3        |

TO ORDER; Clyde Sherman, Buffers OnLine Web Store, [bufferonline@gmail.com](mailto:bufferonline@gmail.com) 706 232-9469

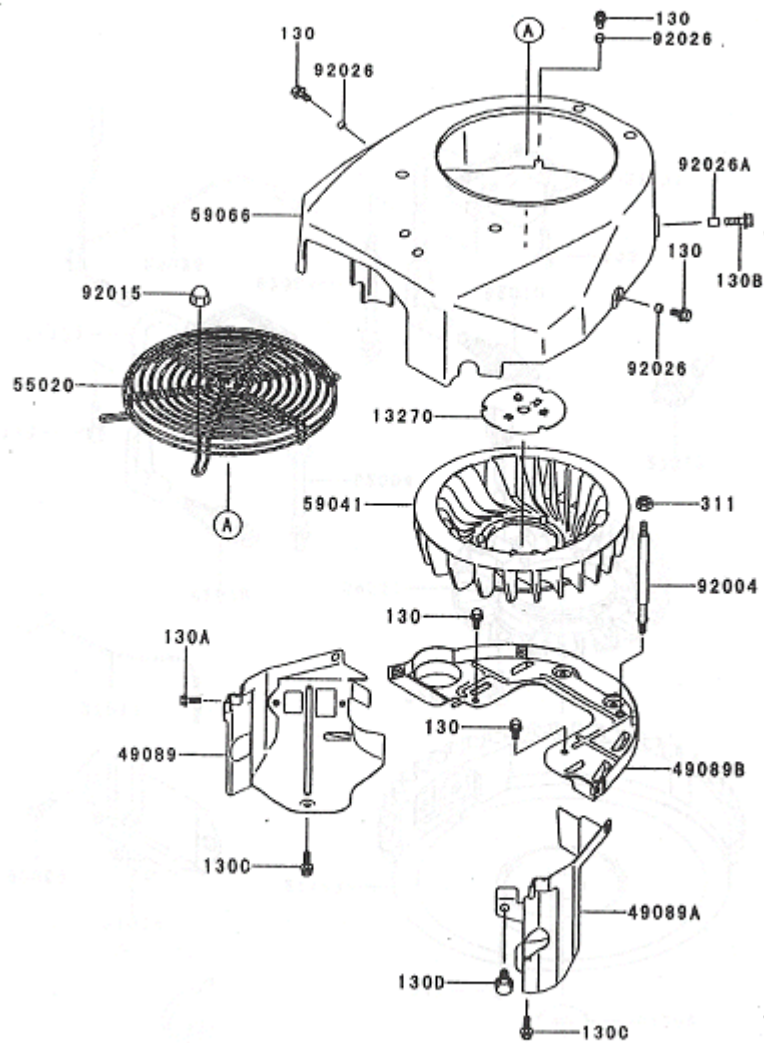
GRID No.

**B-07**

This grid covers:

**COOLING-EQUIPMENT**

E0150-A301A



| Ref. No. | Part No.   | Description         | Quantity |
|----------|------------|---------------------|----------|
| 13270    | 13270-7007 | PLATE               | 1        |
| 49089    | 49089-7001 | SHROUD-ENGINE       | 1        |
| 49089A   | 49089-7002 | SHROUD-ENGINE       | 1        |
| 49089B   | 49089-7003 | SHROUD-ENGINE       | 1        |
| 55020    | 55020-7001 | GUARD               | 1        |
| 59041    | 59041-7001 | FAN                 | 1        |
| 59066    | 59066-7002 | HOUSING-FAN         | 1        |
| 92004    | 92004-7006 | STUD                | 2        |
| 92015    | 92015-1170 | NUT                 | 4        |
| 92026    | 92026-7001 | SPACER,6.2X7.9X5    | 3        |
| 92026A   | 92026-7003 | SPACER,6.5X7.9X10.5 | 1        |
| 130      | 130B0612   | BOLT-FLANGED        | 5        |
| 130A     | 130B0616   | BOLT-FLANGED        | 1        |
| 130B     | 130B0620   | BOLT-FLANGED        | 1        |
| 130C     | 130B0625   | BOLT-FLANGED        | 2        |
| 130D     | 130B0816   | BOLT-FLANGED        | 1        |
| 311      | 311B0600   | NUT-HEX             | 2        |

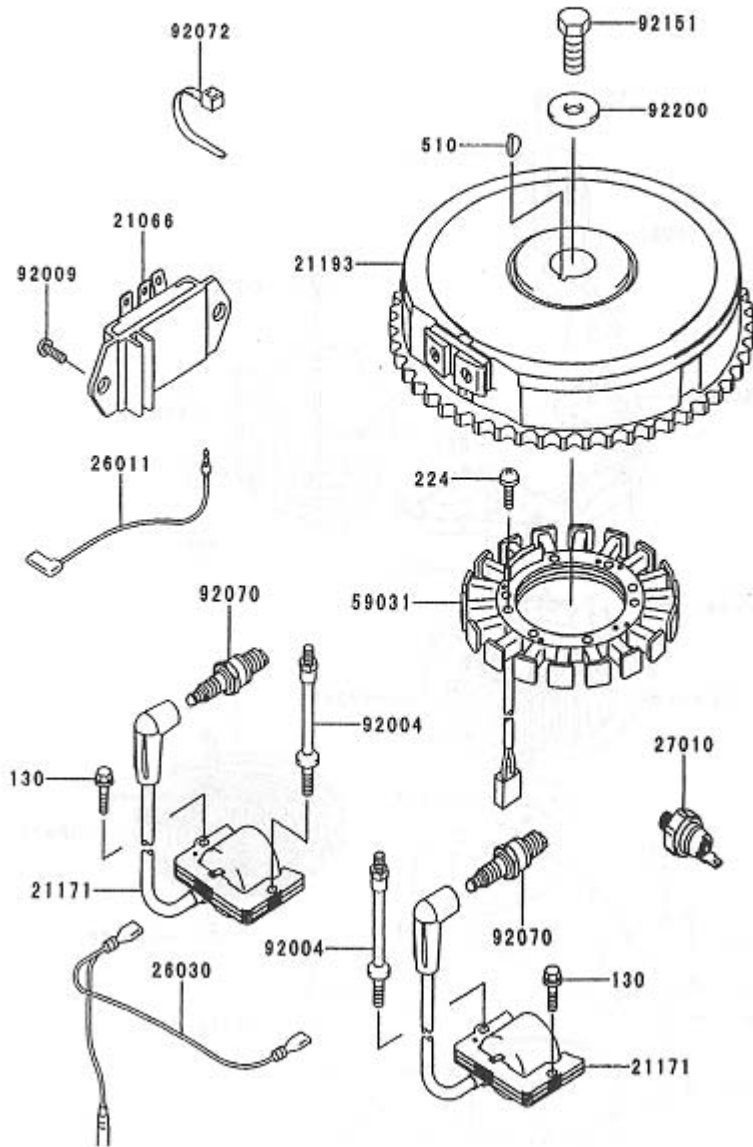
TO ORDER; Clyde Sherman, Buffers OnLine Web Store, [bufferonline@gmail.com](mailto:bufferonline@gmail.com) 706 232-9469

GRID NO. This grid covers:

**B-08**

**ELECTRIC-EQUIPMENT**

E0160-A604A



| Ref. No. | Part No.   | Description                   | Quantity |
|----------|------------|-------------------------------|----------|
| 21066    | 21066-7001 | REGULATOR-VOLTAGE             | 1        |
| 21171    | 21171-7001 | COIL-ASSY-IGNITION            | 2        |
| 21193    | 21193-7001 | FLYWHEEL-ASSY                 | 1        |
| 26011    | 26011-7001 | WIRE-LEAD                     | 1        |
| 26030    | 26030-7001 | HARNESS                       | 1        |
| 27010    | 27010-7002 | SWITCH                        | 1        |
| 59031    | 59031-7001 | COIL-CHARGING                 | 1        |
| 92004    | 92004-2147 | STUD                          | 2        |
| 92009    | 92009-2308 | SCREW                         | 2        |
| 92070    | 92070-7001 | PLUG-SPARK,RCJ8Y(CHAMP),SOLID | 2        |
| 92072    | 92072-7003 | BAND                          | 2        |
| 92151    | 92151-2097 | BOLT,12X30                    | 1        |
| 92200    | 92200-7002 | WASHER                        | 1        |
| 130      | 130B0620   | BOLT-FLANGED                  | 2        |
| 224      | 224B0520   | SCREW-PAN-WP-CROS             | 4        |
| 510      | 510A5100   | KEY-WOODRUFF                  | 1        |

TO ORDER; Clyde Sherman, Buffers OnLine Web Store, [buffersonline@gmail.com](mailto:buffersonline@gmail.com) 706 232-9469

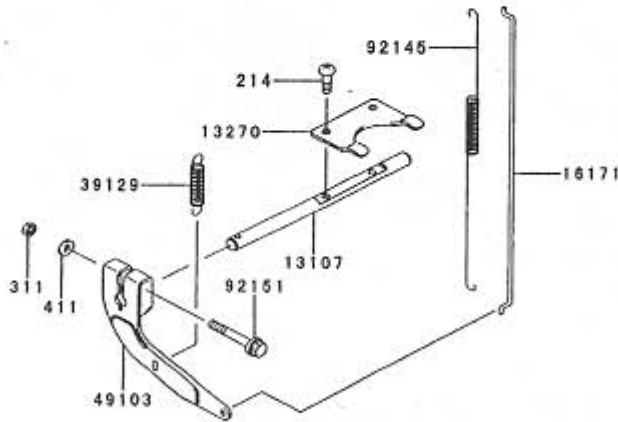
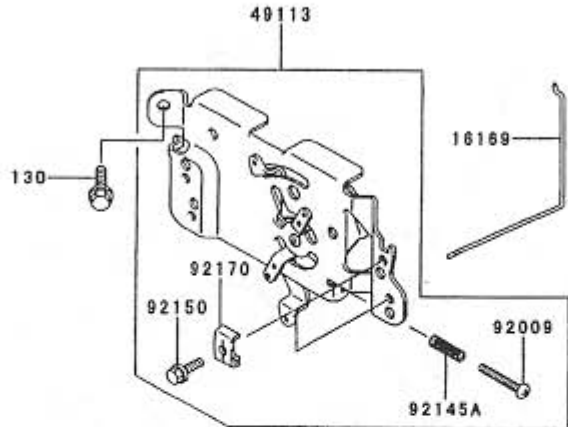
GRID 1

**B-09**

this grid covers:

**CONTROL-EQUIPMENT**

E0170-A253A



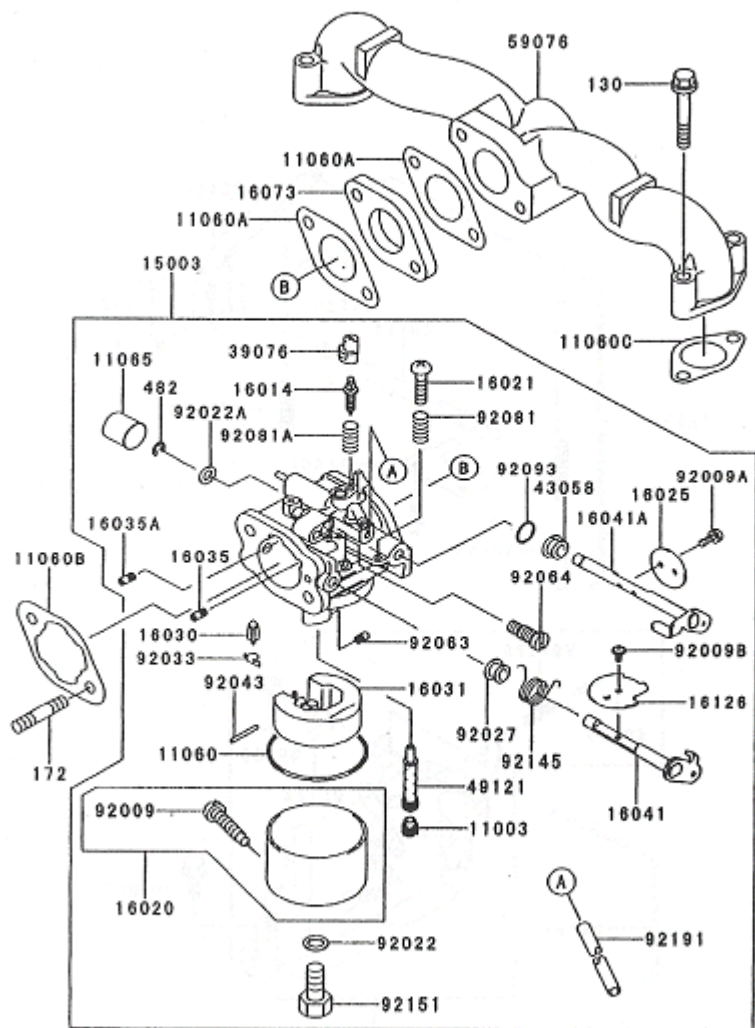
| Ref. No. | Part No.   | Description        | Quantity |
|----------|------------|--------------------|----------|
| 13107    | 13107-7002 | SHAFT              | 1        |
| 13270    | 13270-7006 | PLATE              | 1        |
| 16169    | 16169-7001 | LINK-CHOKE         | 1        |
| 16171    | 16171-7001 | LINK               | 1        |
| 39129    | 39129-7003 | SPRING-GOVERNOR    | 1        |
| 49103    | 49103-7001 | ARM-GOVERNOR       | 1        |
| 49113    | 49113-7006 | PANEL-COMP-CONTROL | 1        |
| 92009    | 92009-7002 | SCREW,4X30         | 1        |
| 92145    | 92145-7003 | SPRING             | 1        |
| 92145A   | 92145-7005 | SPRING             | 1        |
| 92150    | 92150-2182 | BOLT,5X18          | 2        |
| 92151    | 92151-7006 | BOLT,6X30          | 1        |
| 92170    | 92170-7001 | CLAMP              | 2        |
| 130      | 130B0612   | BOLT-FLANGED       | 2        |
| 214      | 214B0408   | SCREW-PAN+-        | 2        |
| 311      | 311B0600   | NUT-HEX            | 1        |
| 411      | 411B0600   | WASHER-PLAIN       | 1        |

TO ORDER; Clyde Sherman, Buffers OnLine Web Store, [bufferonline@gmail.com](mailto:bufferonline@gmail.com) 706 232-9469

GRID NO. This grid covers:

**B-10** **CARBURETOR**

E0180-A343A



| Ref. No. | Part No.   | Description               | Quantity |
|----------|------------|---------------------------|----------|
| 11003    | 11003-2105 | SEAT-VALVE                | 1        |
| 11060    | 11060-2406 | GASKET                    | 1        |
| 11060A   | 11060-7003 | GASKET,INSURATOR          | 2        |
| 11060B   | 11060-7004 | GASKET,AIR FILTER         | 1        |
| 11060C   | 11060-7005 | GASKET                    | 2        |
| 11065    | 11065-2061 | CAP                       | 1        |
| 15003    | 15003-2699 | CARBURETOR-ASSY           | 1        |
| 16014    | 16014-2080 | SCREW-PILOT AIR           | 1        |
| 16020    | 16020-2141 | CHAMBER-FLOAT             | 1        |
| 16021    | 16021-2060 | SCREW-THROTTLE STOP       | 1        |
| 16025    | 16025-2193 | VALVE-THROTTLE,#130       | 1        |
| 16030    | 16030-2067 | VALVE-FLOAT               | 1        |
| 16031    | 16031-2066 | FLOAT                     | 1        |
| 16035    | 16035-2060 | JET-AIR,#1.7              | 1        |
| 16035A   | 16035-2061 | JET-AIR,#1.2              | 1        |
| 16041    | 16041-2252 | SHAFT-CARBURETOR,CHOKE    | 1        |
| 16041A   | 16041-2253 | SHAFT-CARBURETOR,THROTTLE | 1        |
| 16073    | 16073-7001 | INSULATOR                 | 1        |
| 16126    | 16126-2218 | VALVE                     | 1        |
| 39076    | 39076-2053 | LIMITER                   | 1        |
| 43058    | 43058-3716 | RING                      | 1        |
| 49121    | 49121-2222 | NOZZLE-MAIN,#113A         | 1        |
| 59076    | 59076-7001 | MANIFOLD-INTAKE           | 1        |
| 92009    | 92009-2015 | SCREW                     | 1        |
| 92009A   | 92009-2024 | SCREW                     | 2        |
| 92009B   | 92009-2081 | SCREW                     | 1        |
| 92022    | 92022-2231 | WASHER                    | 1        |
| 92022A   | 92022-2239 | WASHER                    | 1        |
| 92027    | 92027-2025 | COLLAR                    | 1        |
| 92033    | 92033-2067 | RING-SNAP                 | 1        |
| 92043    | 92043-2226 | PIN                       | 1        |
| 92063    | 92063-2358 | JET-MAIN,#125             | 1        |
| 92064    | 92064-2125 | JET-PILOT,#48.8           | 1        |
| 92081    | 92081-2009 | SPRING                    | 1        |
| 92081A   | 92081-2256 | SPRING                    | 1        |
| 92093    | 92093-2002 | SEAL                      | 1        |
| 92145    | 92145-2061 | SPRING                    | 1        |
| 92151    | 92151-2092 | BOLT                      | 1        |
| 92191    | 92191-7008 | TUBE                      | 1        |
| 130      | 130B0635   | BOLT-FLANGED              | 4        |
| 172      | 172G0685   | BOLT-STUD                 | 2        |
| 482      | 482L4000   | CIRCLIP-TYPE-E            | 1        |

TO ORDER; Clyde Sherman, Buffers OnLine Web Store, [buffersonline@gmail.com](mailto:buffersonline@gmail.com) 706 232-9469

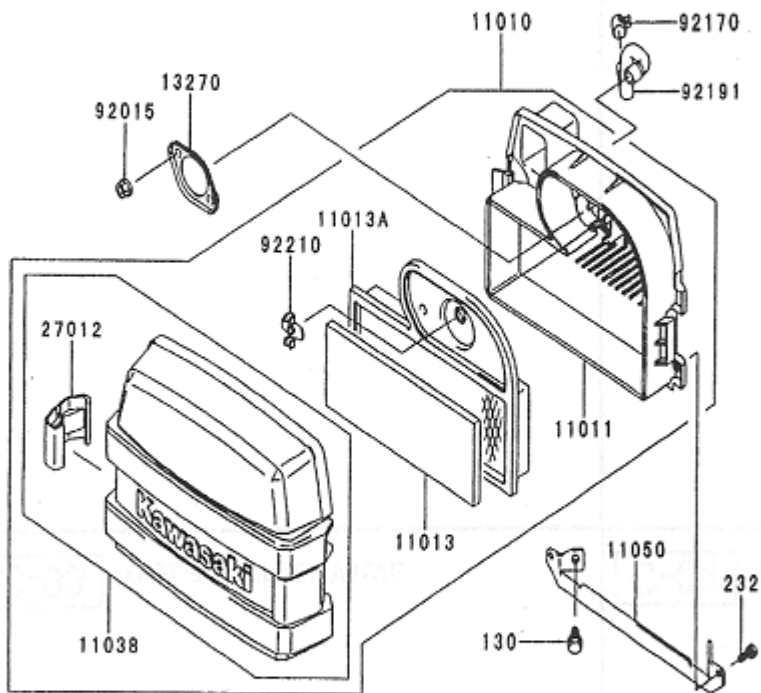
GRID N

this grid covers:

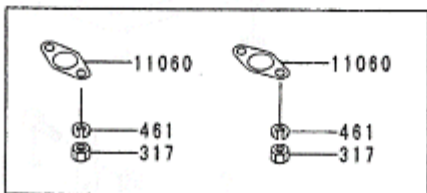
**B-11**

**AIR-FILTER/MUFFLER**

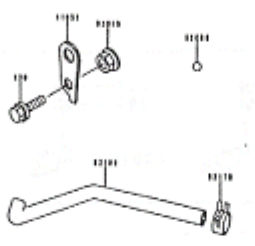
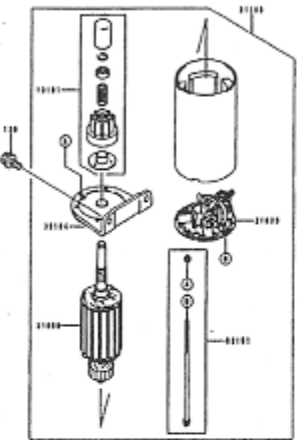
E0190-A340A



| Ref. No. | Part No.   | Description          | Quantity |
|----------|------------|----------------------|----------|
| 11010    | 11010-7002 | FILTER-ASSY-AIR      | 1        |
| 11011    | 11011-7001 | CASE-AIR FILTER      | 1        |
| 11013    | 11013-7001 | ELEMENT-AIR FILTER   | 1        |
| 11013A   | 11013-7006 | ELEMENT-AIR FILTER   | 1        |
| 11038    | 11038-7001 | CASE-ASSY-AIR FILTER | 1        |
| 11050    | 11050-7006 | BRACKET              | 1        |
| 11060    | 11060-7006 | GASKET,MUFFLER       | 2        |
| 13270    | 13270-7001 | PLATE                | 1        |
| 27012    | 27012-7001 | HOOK,AIR FILTER      | 2        |
| 92015    | 92015-1193 | NUT                  | 2        |
| 92170    | 92170-7003 | CLAMP                | 1        |
| 92191    | 92191-7001 | TUBE                 | 1        |
| 92210    | 92210-7004 | NUT                  | 1        |
| 130      | 130B0612   | BOLT-FLANGED         | 2        |
| 232      | 232B0514   | SCREW-PAN-WS+-       | 2        |
| 317      | 317R0800   | NUT-HEX-SMALL        | 4        |
| 461      | 461F0800   | WASHER-SPRING        | 4        |



TO ORDER; Clyde Sherman, Buffers OnLine Web Store, [bufferonline@gmail.com](mailto:bufferonline@gmail.com) 706 232-9469

|  |  |  |
|--|--|--|
| <p>EG000-A0746</p>  <p><b>C-03</b> FUEL-TANK/FUEL-VALVE</p> | <p>EG010-A008A</p>  <p><b>C-04</b> STARTER</p> |  |
|  |  |  |

GRID NO

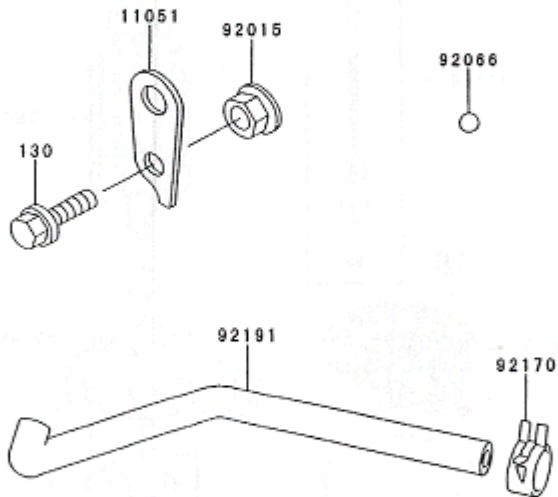
**C-03**

this grid covers:

**FUEL-TANK/FUEL-VALVE**

E0200-A274A

| Ref. No. | Part No.   | Description  | Quantity |
|----------|------------|--------------|----------|
| 11051    | 11051-7001 | BRACKET      | 1        |
| 92015    | 92015-1143 | NUT          | 1        |
| 92066    | 92066-7010 | PLUG         | 1        |
| 92170    | 92170-2088 | CLAMP        | 1        |
| 92191    | 92191-7004 | TUBE         | 1        |
| 130      | 130B0620   | BOLT-FLANGED | 1        |

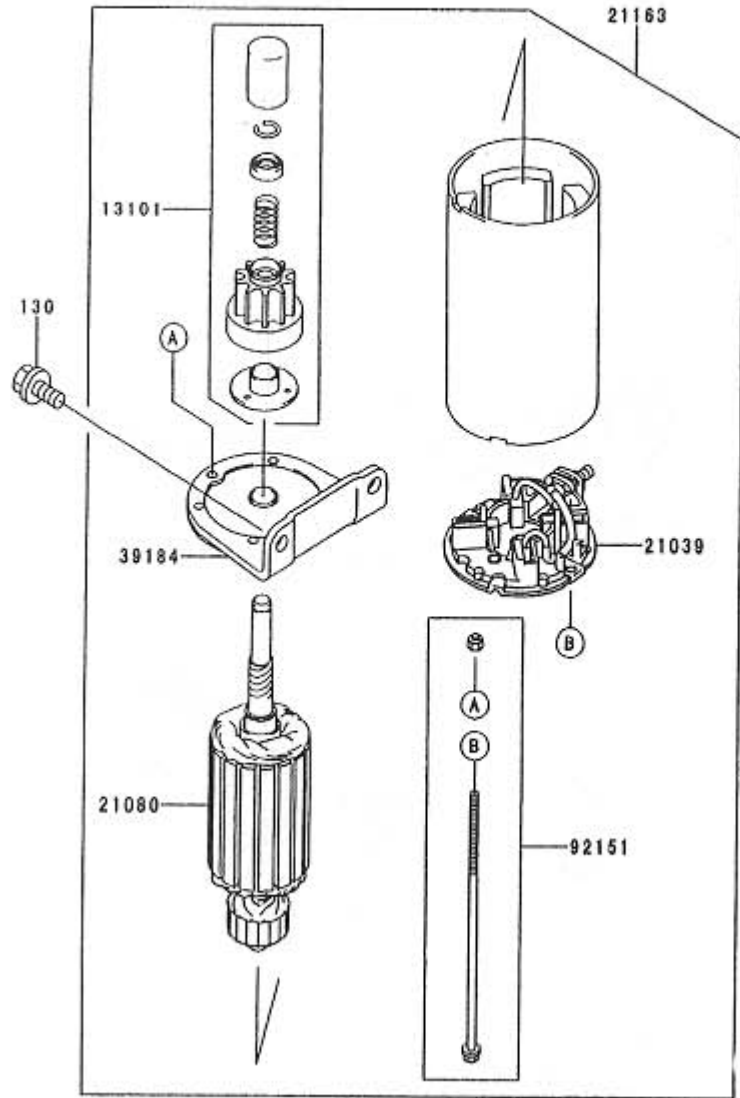


TO ORDER; Clyde Sherman, Buffers OnLine Web Store, [buffersonline@gmail.com](mailto:buffersonline@gmail.com) 706 232-9469

GRID NO. This grid covers:

**C-04** **STARTER**

E0210-A205A



| Ref. No. | Part No.   | Description      | Quantity |
|----------|------------|------------------|----------|
| 13101    | 13101-7001 | GEAR-ASSY        | 1        |
| 21039    | 21039-7001 | BRUSH            | 1        |
| 21080    | 21080-7001 | ARMATURE         | 1        |
| 21163    | 21163-7001 | STARTER-ELECTRIC | 1        |
| 39184    | 39184-7001 | BRACKET-ASSY     | 1        |
| 92151    | 92151-7013 | BOLT             | 1        |
| 130      | 130B0816   | BOLT-FLANGED     | 2        |

TO ORDER; Clyde Sherman, Buffers OnLine Web Store, [buffersonline@gmail.com](mailto:buffersonline@gmail.com) 706 232-9469

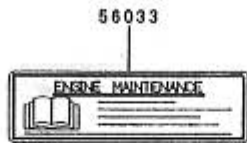
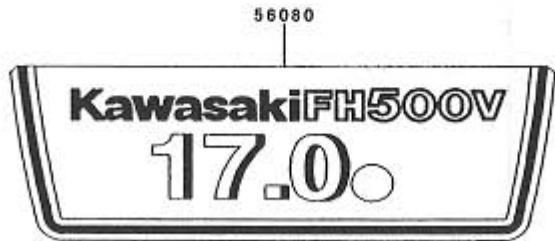
GRID NO. This grid covers:

**D-03**

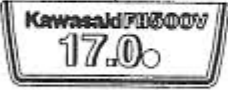


**LABEL**

F0290-A583A

| Ref. No. | Part No.   | Description  | Quantity |
|----------|------------|--------------|----------|
| 56033    | 56033-7001 | LABEL-MANUAL | A        |
| 56080    | 56080-7001 | LABEL-BRAND  |          |



TO ORDER; Clyde Sherman, Buffers OnLine Web Store, [buffersonline@gmail.com](mailto:buffersonline@gmail.com) 706 232-9469

|   |  |  |
|---|--|--|
| <p>F3280-4532A</p>  <p>HEAD</p>  <p><b>D-03</b> LABEL</p> |  |  |
|   |  |  |